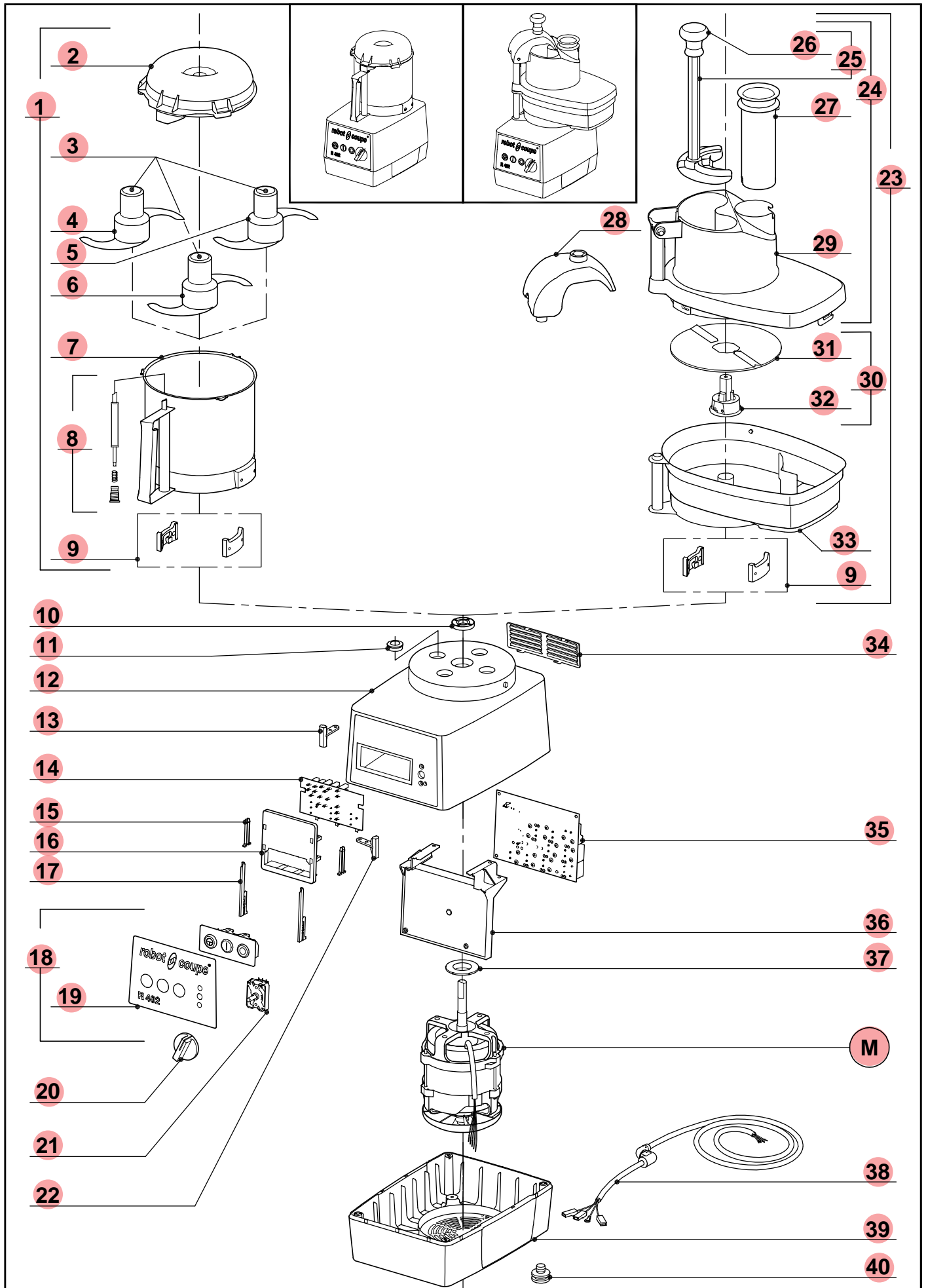


**robot coupe®**

**R 402**



<b>Index PDF</b>	<b>Référence</b>	<b>Designation commerciale</b>
M	303144 303141S	MOTOR
1	27254 27342	CUTTER ATTACHMENT
2	417395 117395S	CUTTER LID
3	104147	BLADE CAP
4	27255	STRAIGHT BL KNIFE
5	27253	COARSE SERRATED BL KNIFE
6	27254	FINE SERRATED BL KNIFE
7	404085 27342	CUTTER BOWL
8	39225	SAFETY ROD ASSEMBLY
9	29081	LOCKING PLATE ASSEMBLY
10	504040 501010S	SEAL RING
11	104070	BOLT COVER MIDDLE GREY
12	39194	MOTOR SUP ASSEMBLY
13	29356 129356	REED SWITCH
14	404924 101921S	SWITCHES BOARD
15	102913	PANEL KEY
16	102911	PCB SUPPORT
17	117703	PCB LOCKING KEY
18	39193	SWITCH PANNEL ASSEMBLY
19	407828	FRONT PLATE
20	117805	SPEED SELECTOR HANDLE
21	117792	COMMUTATOR

22	29441	REED SWITCH ASSEMBLY
23	27252 27400	VEGET-SLICER ATTACHT
24	417079 117079S	FEED LID
25	29324	PUSHER ASSEMBLY
26	402024 117452S	HANDLE KNOB
27	402022 102022S	ROUND PUSHER
28	402020 102020S	PUSHER GUIDE
29	402046 102016S	VEGETABLE SLICER LID
30	102019	SLING PLATE
31	417092 117092S	REVERSIBLE SLING PLATE
32	417094 117091S	SLING PLATE HUB
33	404076 27400	VEGETABLE SLICER BOWL
34	404122 104122S	FAN COVER
35	402600 102600S	CIRCUIT BOARD
36	117809	CIRCUIT BOARD SUPPORT
37	404079 39270	MOTOR CENTRING
38	504282	POWER CORD
39	39112	BASE ASSEMBLY
40	101082	FOOT